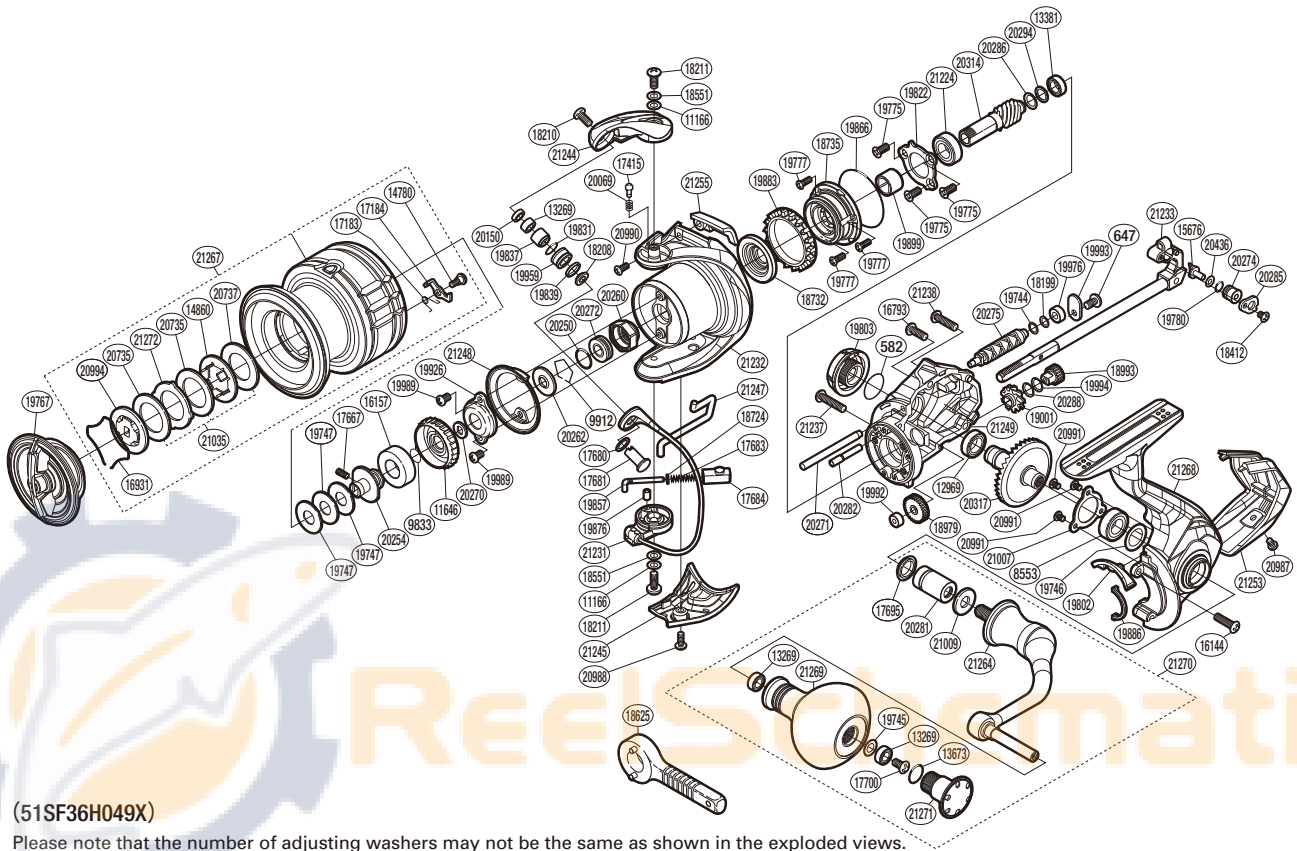


# SHIMANO

## VANFORD SA-RB

## VFC5000XGF



(51SF36H049X)

Please note that the number of adjusting washers may not be the same as shown in the exploded views.  
(Adjustment will vary with each individual product.)

Part No.	Description	Part No.	Description	Part No.	Description
RD 0582	O Ring	RD19745	Washer	RD20288	Spacer
RD 0647	Screw	RD19746	Washer	RD20294	Washer
RD 8553	Ball Bearing	RD19747	Washer	RD20314	Pinion Gear
RD 9833	Ratchet Spring	RD19767	Drag Knob Assembly	RD20317	Drive Gear
RD 9912	Bearing Retainer	RD19775	Screw	RD20436	Washer
RD11166	Washer	RD19777	Screw	RD20735	Drag Washer
RD11646	Drag Click Ratchet	RD19780	O Ring	RD20737	Drag Washer
RD12969	Ball Bearing	RD19802	Bail Trip Strike	RD20987	Screw
RD13269	Ball Bearing	RD19803	Handle Screw Cap	RD20988	Screw
RD13381	Ball Bearing	RD19822	Bearing Retainer	RD20990	Screw
RD13673	O Ring	RD19831	O Ring	RD20991	Screw
RD14780	Screw	RD19837	Line Roller Bushing	RD20994	Key Washer
RD14860	Key Washer	RD19839	Line Roller Spacer	RD21007	Bearing Retainer
RD15676	Oscillating Pawl	RD19857	Bail Spring Guide A	RD21009	Washer
RD16144	Screw	RD19866	O Ring	RD21035	Drag Washer
RD16157	Spool Bushing	RD19876	Bail Spring Guide A Bush	RD21224	Ball Bearing
RD16793	Screw	RD19883	Friction Ring	RD21231	Bail Assembly
RD16931	Drag Washer Retainer	RD19886	Flange Water Proof	RD21232	Rotor Assembly
RD17183	Drag Click Spring	RD19899	Roller Clutch Inner	RD21233	Main Shaft Assembly
RD17184	Drag Click	RD19926	Rotor Nut Lock Plate	RD21237	Screw
RD17415	Click Pin	RD19959	Line Roller	RD21238	Screw
RD17667	Set Screw	RD19976	Worm Bushing (Rear)	RD21244	Bail Arm
RD17680	Washer	RD19989	Screw	RD21245	Bail Hold Support Guard
RD17681	Line Roller Support	RD19992	Worm Bushing (Front)	RD21247	Bail Trip Lever
RD17683	Bail Spring	RD19993	Worm Shaft Retainer	RD21248	Rotor Brim
RD17684	Bail Spring Guide B	RD19994	Washer	RD21249	Body
RD17695	Handle Shaft Seal	RD20069	Click Spring	RD21253	Rear Protector
RD17700	Screw	RD20150	Line Roller Collar	RD21255	Counterweight Cover
RD18199	Spacer	RD20250	O Ring	RD21264	Handle Shank Assembly
RD18208	Spacer	RD20254	Bearing Bushing	RD21267	Spool Assembly
RD18210	Screw	RD20260	Rotor Nut	RD21268	Side Cover Assembly
RD18211	Screw	RD20262	Bearing Water Proof	RD21269	Handle Knob
RD18412	Screw	RD20270	Spool Support	RD21270	Handle Assembly
RD18551	Washer	RD20271	Oscillating Guide A	RD21271	Handle Knob Seal
RD18724	Spring Guide A Support	RD20272	Main Shaft Collar	RD21272	Eared Washer
RD18732	Rotor Ring	RD20274	Oscillating Slider Bushing		
RD18735	Roller Clutch Assembly	RD20275	Worm Shaft	RD18054	Anti Line Slip Sticker
RD18979	Idle Gear	RD20281	Handle Shaft Cover B		
RD18993	Idle Gear B Small	RD20282	Idle Gear B Shaft		
RD19001	Idle Gear B Large	RD20285	Oscillating Pawl Cover		
RD19744	Washer	RD20286	Washer	RD18625	Handle Knob Wrench (Accessory)